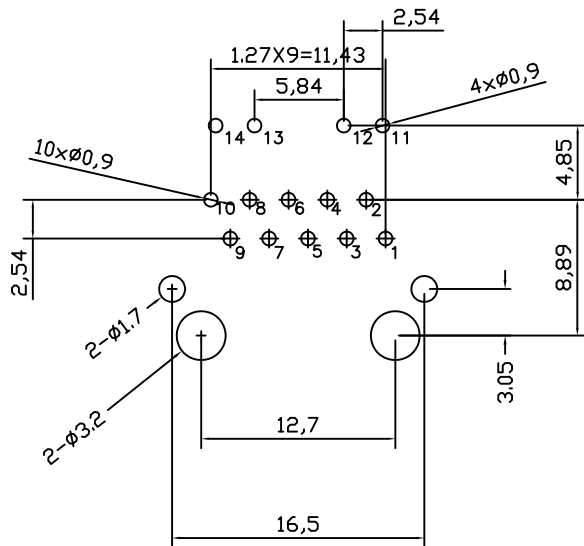
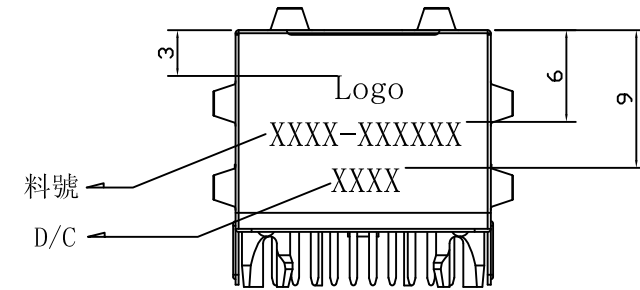
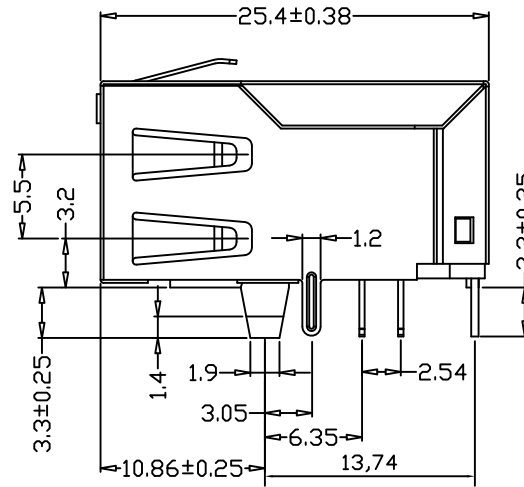
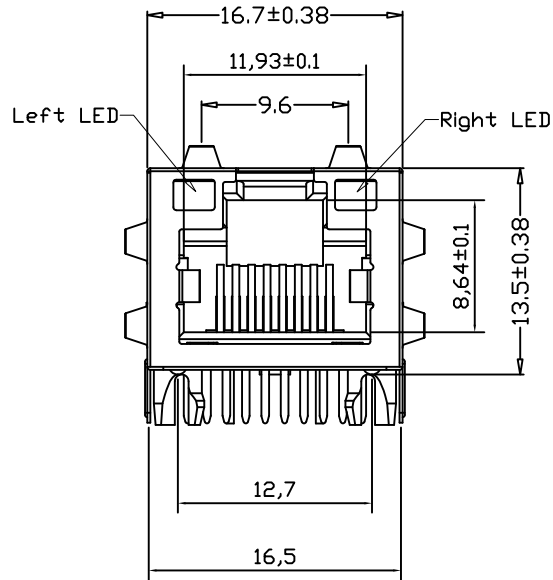
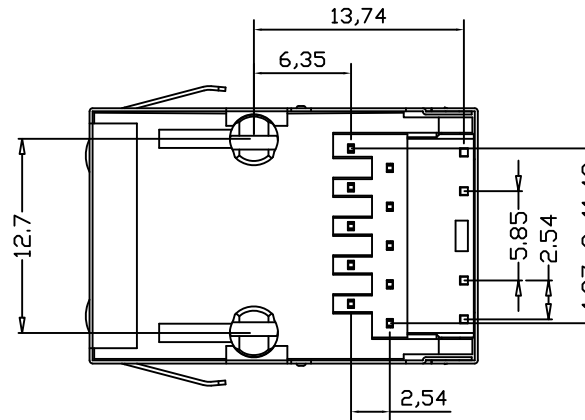




REVISION RECORD				
REV	ECO	DESCRIPTION	DRFT	CHKD



PCB Layout



NOTE:

- 1.Shielded - 0.20mm THICKNESS BRASS C2680 H. PLATING NICKEL 30u"~50u".
- 2.Housing- Standard Material Nylon66,Glass Filled Polyester UL94V-0 Standed Color Black.
- 3.Insert Pin- Plastic:Nylon66 UL94V-0,Standard Color Black. Pin:0.35mm Thickness Phos-Bronze C5210 EH. Plating:Nickel40u"~60u" for all and Sn 100% ,and Gold Plating.
- 4.Contact Pin- Plastic:Nylon66,Glass Filled,UL94V-0, Standard Color Black. Pin:0.35mm Thickness SUS430. Plating:Nickel40u"~60u" for all and Sn 100%.

DFTO JEFF.LEE		DATE: 2010/04/13		ELLAX CORPORTAION	
CHKD W-P-Huang		DATE: 2010/04/13			
MFO		DATE:		TITLE	
APPVL		DATE:		RJ45 WITH LED, TRANSFORMER CONNECTOR	
MATERIAL :		MATERIAL :		(10/100/1000 Base-T)	
TREAT :		TREAT :		DRAWING NO. ELJ47W01SBJG1AGGY3-3H	
Q'TY :		Q'TY :		SIZE A3	
SCALE :		SCALE :		REV A	
THIRD ANGLE PROJECTION		5:1		DRAWING NO.	
第 三 角 比 例				客戶編號	
				2 of 1	