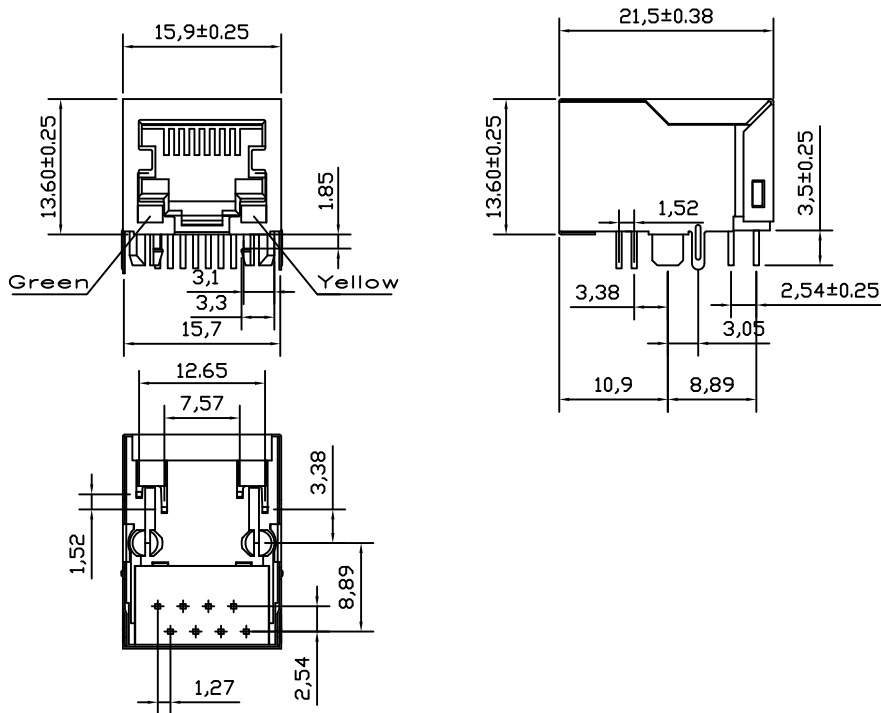
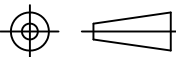


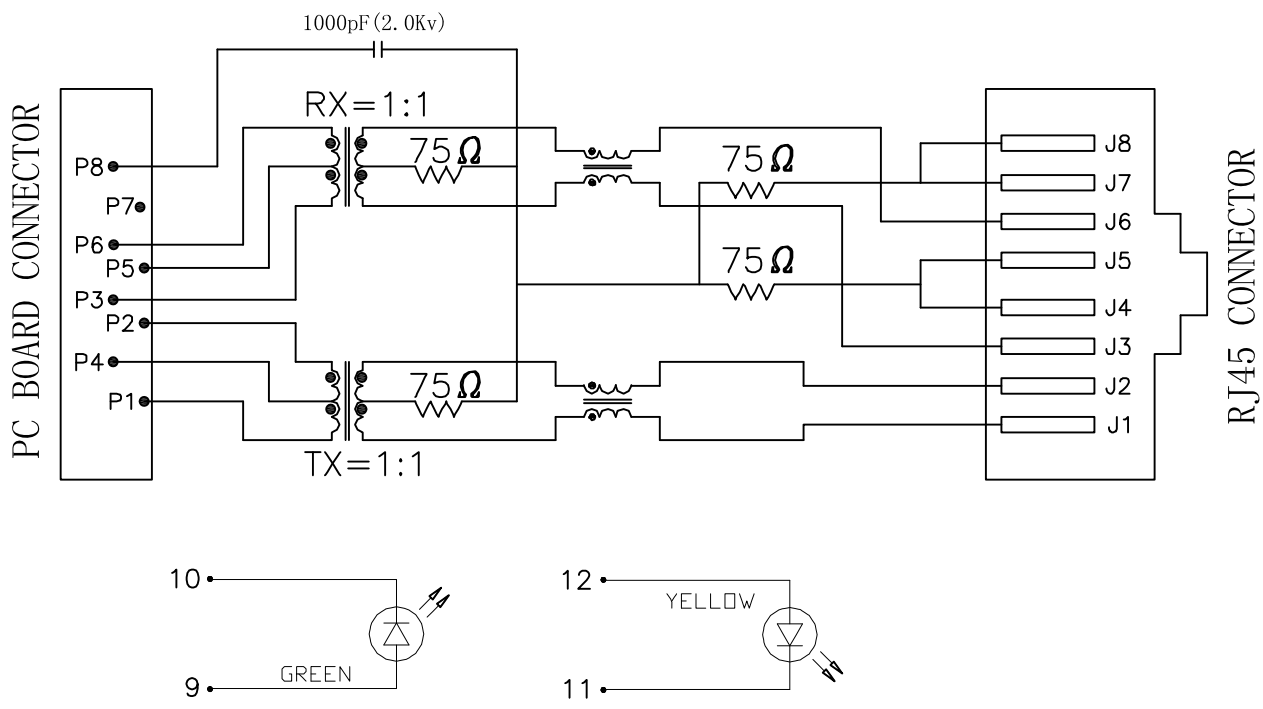
PCB Layout



NOTE:

1. Shielded - 0.20mm THICKNESS BRASS C2680 H.  
PLATING NICKEL 30u"-50u".
2. Housing- Standard Material Nylon66 30%G.F, Glass Filled Polyester UL94V-0 Standed Color Black.
3. Insert Pin- Plastic: PBT 30%G.F, UL94V-0, Standard Color Black.  
Pin: 0.35mm Thickness Phos-Bronze C5210 EH.  
Plating: Nickel 40u"~60u" for all and Sn 100%  
, and Gold Plating.
4. Contact Pin- Plastic: PBT 30%G.F, Glass Filled, UL94V-0,  
Standard Color Black.  
Pin: 0.35mm Thickness Phos-Bronze C2680.  
Plating: Nickel 40u"~60u" for all and Sn 100%.

		DFTO Tom	DATE: 2011/02/18	<h1>ELLAX</h1>	
單位: MM		CHKD W.B.Hang	DATE: 2011/02/18		
長度公差		MFO	DATE:		
角度公差		APPVL	DATE:		
.0 ± 0.38	±	脫模角:	顏色:	TITLE 名稱 1X1 20.57 GANG JACK LED孔無簧(10/100 Base-T Jack)	
.00 ± 0.20	±	MATERIAL:			
.000 ± 0.10	±	材質:		DRAWING NO. 圖檔編號: ELJ8101B1D4A3GYD-1R	
 THIRD ANGLE PROJECTION 第三角		TREAT:			
		處理:		A	
		Q'TY:		DRAWING NO. 客戶編號:	
		數量:			
		SCALE:	1:1		
		比例:			



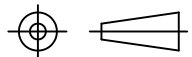
**ELECTRICAL SPECIFICATIONS@25 :**

Turn Ratio(±3%): (3-6):(3-6)=1CT:1CT,(1-2):(1-2)  
 INSERTION LOSS (0.3-100MHZ): -1.0dB MAX.  
 Return Loss (dB MIN):  
 -18dB (30MHZ), -15dB (50MHZ), -12dB(80MHZ)  
 Cross talk (dB MIN):  
 -38dB (30MHZ), -38dB (60MHZ), -38dB (100MHZ)  
 CMR(dB TYP):  
 -40dB (30MHZ), -40dB (60MHZ), -40dB (100MHZ)  
 HI-POT TEST:1500Vrms/0.5mA/2Sec.  
 PRIMARY INDUCTANCE: 350uH MIN @100KHz/0.1V, 8mA  
 D.C.BIAS  
 RoHS compliance: YES

**REMARKED:**

**ELJ8101B1D4A3GYD-1R**

- ROHS
- Plating: 2:Gold 6u"
- LED:L=Green, R=Yellow.
- CORES QTY: 4: 4 PCS
- 10/100 Base-T
- 無簧片
- Series

		DFTO Tom	DATE: 2011/02/18	<h1>ELLAX</h1>		
單位: MM		CHKD W.B.Hang	DATE: 2011/02/18			
長度公差	角度公差	MFO	DATE:	TITLE 名稱 1X1 20.57 GANG JACK LED孔無簧(10/100 Base-T Jack)		
.0 ± 0.38	±	APPVL	DATE:			
.00 ± 0.20	±	脫模角:	顏色:	DRAWING NO. 圖檔編號: ELJ8101B1D4A3GYD-1R		
.000 ± 0.10	±	MATERIAL: 材 質:				
 THIRD ANGLE PROJECTION 第 三 角		TREAT: 處 理:		DRAWING NO. 客戶編號:		
		Q'TY: 數 量:				
		SCALE: 比 例:	1:1			